

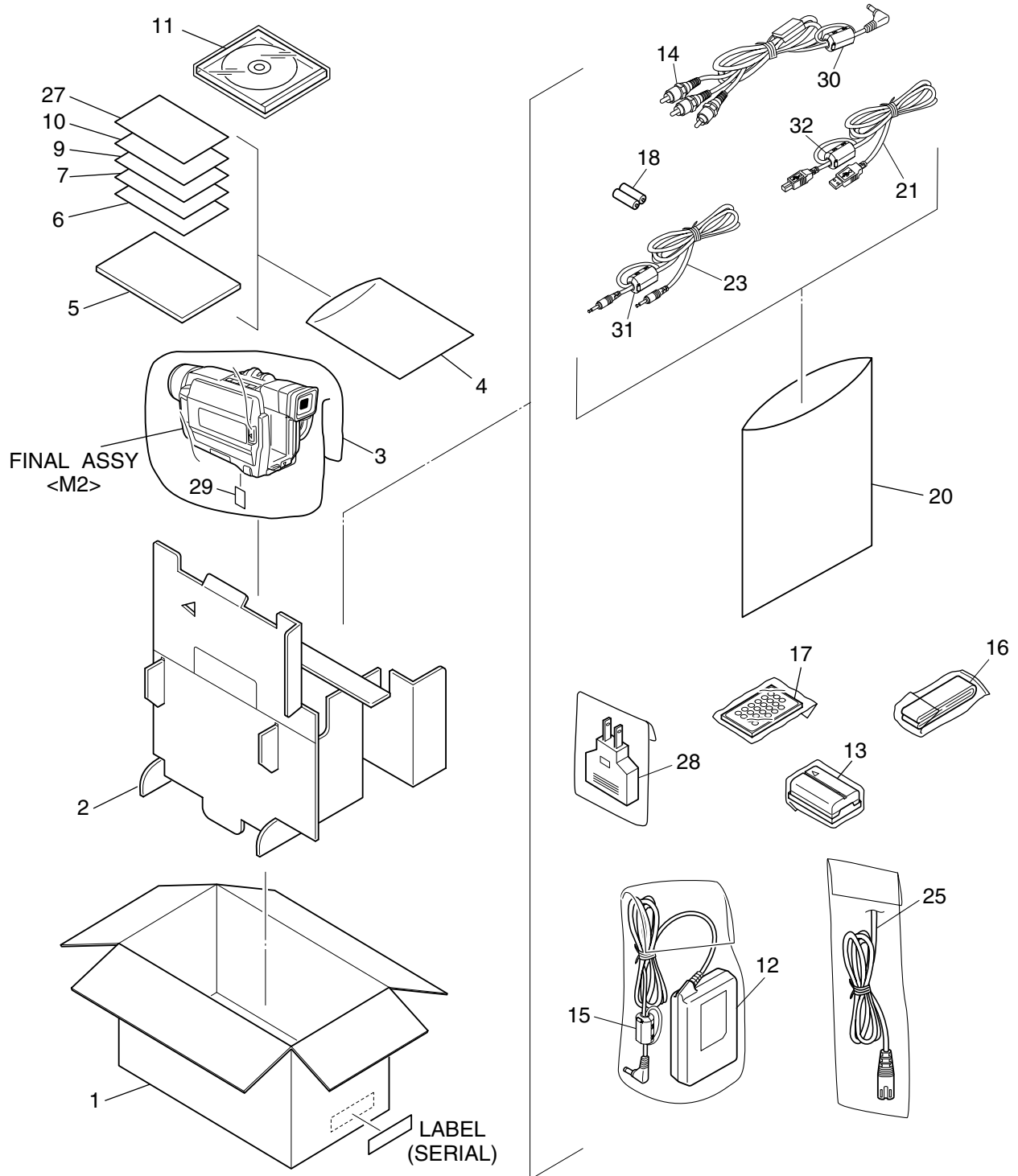
SECTION 5 PARTS LIST

SAFETY PRECAUTION

Parts identified by the  symbol are critical for safety. Replace only with specified part numbers.

5.1 PACKING AND ACCESSORY ASSEMBLY <M1>

The instruction manual to be provided with this product will differ according to the destination.



△ REF No. PART No. PART NAME, DESCRIPTION

PACKING AND ACCESSORY ASSEMBLY <M1>

- 1 LY32095-005A PACKING CASE,F
- LY32095-009A PACKING CASE,C
- LY32095-020B PACKING CASE,A,B
- LY32095-022B PACKING CASE,D,E
- 2 LY32096-001A CUSHION
- 3 LY30023-008A POLY BAG
- 4 QPA02003006 POLY BAG,C,F
- QPA02003506 POLY BAG,A,B,D,E
- △ 5 LYT0768-001A INST.BOOK(EN)
- △ LYT0768-002A INST.BOOK(CH),A,B,D,E
- △ LYT0768-003A INST.BOOK(GE),A,B,D,E
- △ LYT0768-004A INST.BOOK(FR),A,B,D,E
- △ LYT0768-005A INST.BOOK(RU),A,B,D,E
- △ LYT0768-006A INST.BOOK(AR),A,B,D,E
- △ 6 LYT0734-001A INST.BOOK(SOFT.EN),C,F
- △ LYT0835-001A INST.BOOK(SOFT.5LANG),A,B,D,E
- 7 LYT0378-003A SHEET(AGREMENT)
- 9 BT-56001-2 WARRANTY CARD,C,F
- 10 BT-56002-2 SER.NET CARD,C,F
- 11 LY32210-003B CD ROM
- △ 12 LY20688-003A AC ADAPTER,AP-V10A,A,D
- △ LY20688-007A AC ADAPTER,AP-V10EA,C,F
- △ LY20688-014A AC ADAPTER,AP-V10A-S,B,E
- △ 13 LY31587-001A BATTERY PACK,BN-V408U
- 14 QAM0212-001 CABLE ASSY,AUDIO/VIDEO CABLE
- 15 QQR0490-002 CORE FILTER
- 16 LY20186-001A SHOULDER STRAP
- 17 LY20750-001A REMOTE CONTROL UNIT,RM-V717U
- 18 — BATTERY,AAA(R03),X2
- 20 QPA01703005 POLY BAG
- 21 QAM0324-001 USB CABLE
- 23 PEAC0428-150 CABLE ASSY,EDITING CABLE
- △ 25 QMPH020-190-JR POWER CORD,C,F
- △ QMPL120-190-JR POWER CORD,A,D
- △ QMPS110-190-JR POWER CORD,B,E
- 27 LYT0609-001A SHEET(CON.PLUG),A,B,D,E
- △ 28 PEMC1012 CONVERSION PLUG,B,E
- △ PEMC1012-02 CONVERSION PLUG,A,D
- 29 QAM0262-002 MEMORY CARD
- 30 QQR0918-002 CORE FILTER
- 31 QQR0491-002 CORE FILTER
- 32 QQR0918-002 CORE FILTER

MODEL	MARK
GR-DVL510A	A
GR-DVL510A-S	B
GR-DVL510EA	C
GR-DVL910A	D
GR-DVL910A-S	E
GR-DVL910EA	F

• INSTRUCTIONS

- EN ENGLISH
- CH CHINESE
- GE GERMAN
- FR FRENCH
- RU RUSSIAN
- AR ARABIAN